

# Infrared Therapeutic Lamps

<The Special Electromagnetic Therapeutic Apparatus>

## INSTRUCTION MANUAL



Made in China

## TABLE OF CONTENTS

Construction .....	1
Function .....	1
Indications for use .....	1
Contra-indications .....	1
Safety Considerations .....	1
Warnings .....	2
Caution .....	2
Getting Started .....	2
General Description .....	3
Application .....	3
Position for Treatment .....	3
Treatment Time .....	3
Caution & Care .....	3
Protection of Skin .....	3
Safety Shield .....	3
Direction of Device Head .....	3
Replacing Heating Plate .....	3
Care and Storage .....	4
Storage Temperature .....	4
Cleaning .....	4
Explanation of symbols .....	4
Label .....	5
Packed Cartons Details .....	5
Electromagnetic Compatibility .....	5-8
CE Compliance .....	9
Disposal .....	9
Trouble Shooting .....	9
Limited Warranty .....	9
Manufacturer and ER information .....	9
Turning Unit On .....	
Technical Specifications .....	

# INFRARED THERAPEUTIC LAMPS INSTRUCTIONS

## What is Infrared therapeutic lamps?

### 1. Construction :

The mineral coated plate is the core of the therapeutic part, and it consists of the following elements :

[Si] Silicon, [Ca] Calcium, [Cr] Chromium, [Mn] Manganese, [Fe] Iron, [Cu] Copper, [Zn] Zinc, [Co] Cobalt, [Sn] Tin, [B] Boron, [S] Sulphur, [Se] Selenium, [Cd] Cadmium, [Ti] Titanium, [Zr] Zirconium, [W] Tungsten, [I] Iodine, [As] Arsenic, [Na] Sodium, [Ba] Barium, [Al] Aluminium, [Mo] Molybdenum, [Sb] Antimony, [Ce] Cerium, [Bi] Bismuth, [F] Fluorine, [Ir] Iridium, [Ni] Nickel, [Mg] Magnesium, [Pb] Lead, [C] Carbon.

### 2. Function:

The **Infrared therapeutic lamps** (the device) is unlike any other heat lamp. While most lamps use a common infrared bulb, the **Infrared therapeutic lamps** features a plate coated with a proprietary mineral formulation consisting of 33 elements. When activated by a built-in electric heating element, this mineral plate emits a special band of electromagnetic waves ranging from 2 to 22 microns in wavelength and 25 mw/sq.mm in intensity.

Easy to use, the **Infrared therapeutic lamps** requires no gel, no electro-stim and may be used through clothing or directly on the skin.

It is effective when deep heating of body tissue is desired.

Beneficial effects include decreased joint stiffness, increased vasodilation, muscle spasm relief and reduced pain from ligamentous sprains and strains. It works by increasing the local circulation of blood, lymph and the activity of the nervous system:

Please read the following instructions before using this device.

### 3. Indications for use:

The device is an infrared lamp that emits energy in the infrared spectrum to provide topical heating for the purpose of elevating tissue temperature, to temporarily increase local blood circulation, and temporarily relief of pain and stiffness associated with minor muscle and joint.

There are, in fact, no hard and fast ways when using the device as different people responds to the treatment in different ways. We recommend you experiment with the device to discover the best way in which it can help you. The treatments described are for guidance only. For more specific problems consult your doctor. Timings are approximate and are intended to be flexible to suit your own comfort.

- Decrease painful edema
- Reduces pain in joints, muscles, bones
- Relaxes muscle armoring and spasms

- Improves microcirculation

### 4. Contra-indications:

- The device should not be used where cardiac pacemakers are located or directly over area where a metal or plastic plate has been fitted.
  - Patients with Cardiac Pacemakers and wearing hearing aids are not recommended for using the device, as the heat emitted from the device may inhibit the output of some demand cardiac pacemakers and hearing aids. It may also cause damage to these types of equipment.
  - Patients installed with artificial limbs must pay special attention when using the device, as the heat emitted from the device may transfer excess heat to the artificial limbs and cause discomfort or damage.
- Do not use during pregnancy. Whenever you are in doubt or if you experience unfamiliar symptoms, please consult your doctor.
- If or have suffered injury, consult physician before use. Use only under supervision.
- Use carefully and only as directed, or may cause burns.
- Do not use over insensitive skin areas or in the presence of poor circulation.
- Do not use if patient has a high fever.
- Do not place directly over eyes.
- Do not use when body is wet or in bathtub. Unattended use of the device by children or incapacitated persons may be dangerous.

### 5. Safety Considerations:

#### 5-1 Introduction

The following safety precautions must be observed during all phases of operation, service and repair of this equipment. Failure to comply with these precautions or specific warnings elsewhere in this manual, violates safety standards of design, manufacture and intended use of the equipment.

#### 5-2 Human Safety

Operation personnel must not remove the system covers or safety shield of the equipment.

Servicing should be performed by authorized personnel only.

#### 5-3 Mechanical Safety

The device can easily be damaged by improper handling. Use care when handling and protect from damage when not in use.

#### 5-4 Electrical Safety

To minimize shock hazard, the device must be connected

to an electrical ground. The system is equipped with a three-conductor AC power cable. This must be plugged into an approved electrical outlet with protective ground.

The power outlet used for this equipment should not be shared with other types of equipment.

Both the system power cable and power connector meet international electrical standards.

Check if the voltage indicated on the equipment corresponds to the mains voltage in your home before you connect the device.

If the wall socket used to power the device has poor connections, the plug of the device become hot. Make sure you plug the device into a properly connected wall socket.

If the mains cord is damaged, it must be replaced by a authorized service centre or qualified personnel in order to avoid a hazard.

### 6. ⚠️ WARNING EXPLOSION WARNING

**DO NOT OPERATE THE DEVICE IN AN EXPLOSIVE ATMOSPHERE. OPERATION OF ANY ELECTRICAL EQUIPMENT IN SUCH AN ENVIRONMENT CONSTITUTES A DEFINITE SAFETY HAZARD.**

⚠️ **WARNING DO NOT SUBSTITUTE PARTS OR MODIFY DEVICE.**

**BECAUSE OF THE DANGER OF INTRODUCING ADDITIONAL HAZARDS, DO NOT INSTALL SUBSTITUTE PARTS OR PERFORM UNAUTHORIZED MODIFICATION OF THE DEVICE.**

### ⚠️ Warning

- To prevent and avoid the risk of burns, fire, electric shock, or Injury, use this device only for its intended purpose as described in this manual.
- Do not leave unit on when unattended. Unplug from outlet when not in use.
- Keep children away from and do not allow children to operate the lamp.
- Do not operate where aerosol (spray) products are being used or where oxygen is being administered.
- To disconnect from the power outlet, turn all controls to the "off" position and then remove the power cord from the power source outlet.
- Never operate this device with the protected heating element opening blocked. Keep this opening free of lint, hair, etc. Never operate on or near a soft surface such as a pillow, blanket, or bed where this air opening may be blocked.

### 7. CAUTION:

1. Do not touch the lamp head during operation.
2. Do not let children operate this device or get access to

the device head when it is being heated.

3. Do not hold the device by the cord or pull the cord sharply.
4. Do not touch the internal workings of the unit.
5. Do not attempt to make any repairs yourself.
6. Do not use thinner, benzene or similar solvents.
7. Do not hold the head stationary on one spot for more than five minutes.
8. Do not use the device directly on wet skin. When using it on the head near the eyes, close your eyes and always work with low temperature setting.
9. Do not storage in any location where there is excessive moisture , such as the bathroom.
10. If you are pregnant, ill or suffered injury, consult your physician before using this unit.
11. Always unplug the device after use and in case of a power failure.
12. Let the device cool down for approx. 15 minutes before cleaning or storing it.
13. The Safety Shield becomes very hot when the device is switched on. Do not touch it!

If the device becomes soiled, wipe with a cloth dampened with a mild cleanser.

### 8. Getting Started.

**(Floor Type)** Open the packaging box with care and check the contents of the device. It should consists of:

- Device heat lamp (installed with mineral coated plate), with spring loaded arm and control box.
- Extendable Stand Pole
- Wheel Base

Assemble the device according to Figure 1 (see attached diagram). Insert A to B and tighten C. Insert D to E and tighten F. Insert 5 to 6 and tighten G.

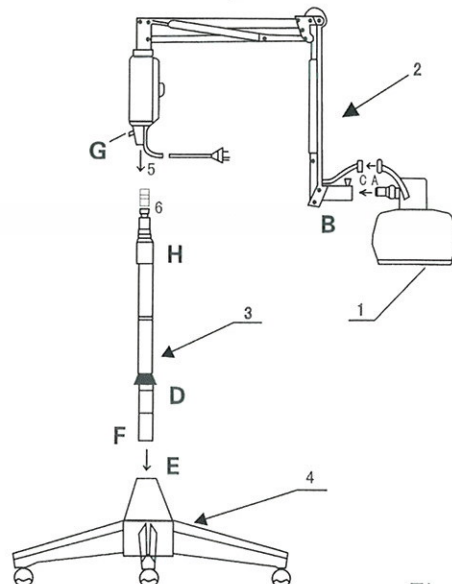


Fig.a

**9. General Description:**

- A.Device Head connector
- B.Insert to Spring loaded Arm C.Tighten screw
- D.Stand pole
- E.Insert to wheel base
- F.Wheels
- G.Tighten screw
- H.Stand

- 1.Device Head (installed with mineral coated plate)
- 2.Spring loaded Arm with control box
- 3.Extendable Stand Pole
- 4.Wheel Base
- 5.Spring loaded Arm connector
- 6.Insert to Stand pole

**10. Application.**

To use, simply direct the heat from the device on the surface of the skin, nearest or over the afflicted part of the body.

**11. Position for Treatment.**

As a general guideline, adjust the distance between the device surface and the device head to 12" (30 cm) to produce a warm and comfortable feeling. Actual placement must be dictated by patient comfort. Note that a distance of 12" (30 cm) will provide the device heating of 40°C. For reference, 40°C to 42°C (104°F to 108°F) is the temperature range for therapeutic heating. Distances more than 12" (30 cm) away will only provide warmth and comfort. The skin may become pink during treatment, this is normal. Do not position the device head closer than 12" (30 cm) to the body, otherwise a possible burn may result.

**12. Treatment Time.**

The treatment time for a given session may vary depending on the condition being treated. As a general guideline, treatment times of 20 to 40 minutes may be used. Limit the treatment time to 50-60 minutes maximum for adults and 30 minutes for children. It is also recommended to limit treatment sessions to no more than 2 per day. Depending on the condition being treated, shorter times and frequencies of treatment may also be used.

**13. Caution & Care.**

Application should be pleasant and comfortable. Be aware of the comfort and how the patient is feeling. If pain or discomfort is felt, move the device head further away or discontinue treatment. If the unit is too close to the body during treatment, the temperature may become too high and the skin may overheat and cause a skin burn.

**14. Protection of Skin.**

To minimize the impact of dry skin after treatment, apply moisturizing lotion to the treatment area after each session.

**15. Safety Shield.**

This unit features an open metal mesh type safety shield to protect and prevent accidental contact with the heating plate. This shield should not be touched or removed when the unit is in operation. Do not touch the heating plate during or after operation - the lamp will remain hot for a period of time after it is turned off.

**16. Direction of Device Head.**

To prevent excess heat build-up in the device head and premature failure, do not face the device head downward more than 45 degrees.




**17. Replacing Device Plate.**

The device's mineral coated plate must be changed if it becomes cracked or chipped, or begins to change color. Under normal use, the mineral coated plate will last approximately two years (i.e., 1,200 to 1,500 hours usage) before requiring replacement.

**Do not attempt to replace the mineral coated plate by yourself, return the device to your local distributor for changing the plate.**

Steps for replacing a new mineral coated plate (for authorized dealers/distributors/technicians only)

<p>I . Turn OFF the device and wait for 30 minutes until the lamp is cool down completely.</p>	
<p>II .Take off the safety shield (A) from the lamp head (B) by pulling it apart from the lamp head. &lt;Fig.1&gt;</p>	<p>Fig.1</p>
<p>III .Unscrew the screw (C), located in the centre of the lamp head) in counter-clockwise direction. &lt;Fig.2&gt;</p>	<p>Fig.2</p>
<p>IV .Slowly take out the mineral coated plate (D) from the lamp head &lt;Fig.3&gt;</p>	<p>Fig.3</p>

<p>V .Replace a new mineral coated plate into the lamp head.</p>	
<p>VI .Put back the screw in clockwise direction, until the mineral coated plate is fixed in position. &lt;Fig.4&gt;</p>	<p>Fig.4</p> 
<p>VII .Fix the safety shield on the lamp head again. Simply push it back to the lamp head. &lt;Fig.5&gt;</p>	<p>Fig.5</p> 
<p>VIII .Turn the device ON and check if the lamp heat up and operate in normal condition. &lt;Fig.6&gt;</p>	<p>Fig.6</p> 

**18. Care and Storage**

- Let the device cool down for approx. 15 minutes before cleaning or storing it.
- Never drop or insert any object into the protected heating mineral plate opening. Do not touch the heating mineral plate with any object. Do not touch the internal workings of the device. Do not attempt to make any repairs yourself.
- Do not operate this device if the power cord or plug is damaged. If it is not working properly, or has been damaged, call your nearest authorized service center.
- Do not pull or carry this device by the power cord. Keep the power cord away from hot or wet surfaces.
- Store the device in dry environment - avoid excessive moisture.
- Avoid violent movement and impacts.
- Do not clean the device head with any liquid or solvent.
- The device's mineral plate must be changed if it becomes cracked or chipped. Under normal use, the mineral plate will last approximately two years (i.e., 1,200 to 1,500 hours usage) before requiring replacement.

**19. Storage temperature**

Store the device in a dry location free from dust and contamination where the temperature remains fairly constant and within the range of -30°C to 55°C (22°F to 131°F).

Do not drop, mishandle, or expose to temperature or humidity extremes or atmosphere pressure <outside the range of -30°C to 55°C (-22°F to 131°F), 15-95% RH non-condensing, range of 700hpa to 1060hpa,>. Do not use if the device malfunctions or has been damaged in any manner.

There is generally no restricted “shelf-life” of the device.

**20. Cleaning**

- Do not immerse the device in any cleaning solution or water.
- The device should be periodically (once a month) wiped clean using a damp cloth and a solution of mild soap and water. Use of any other cleaning solution may damage the device.
- Wipe the cable & plug clean with a cloth dampened in a mild soap solution, then wipe them dry. (Do not use alcohol or Freon to clean the cable)
- It should be stored in a location free from dampness and extreme cold.

**21. Explanation of symbols .....**

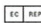
The following symbols are used in this device.

 0123 MDD CE

 Disposal

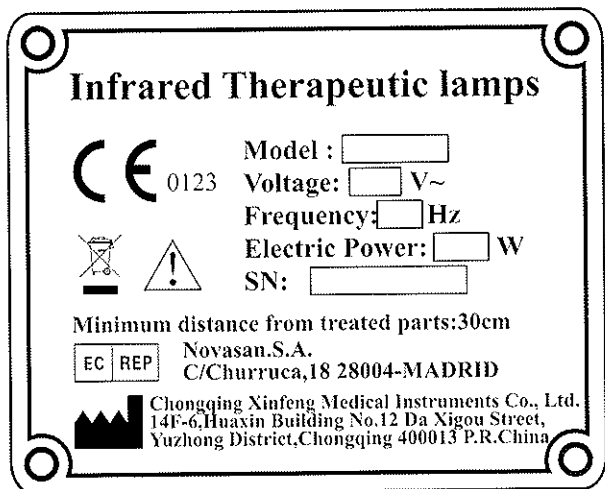
 Warning/Read Instruction

SN Serial Number

 E.R. information

 Manufacturer

**22. Label:**



(Example as below)

Model: CQ-36  
 Voltage: 230V±10V  
 Frequency: 50 Hz  
 Electric Power: 215 W  
 SN: XXXXXXXX

**23. Packed Cartons Detail:**

- A) Each shipped device is individual packed into a 3-ply Carton Box.
- B) Each Carton is strapped by machine tapes to lock in as safe as protective to prevent from damage during transportation.
- C) The shipping marks to be printed at front side of the 3-ply carton:
- D) The transportation & storage environment together with Model & Serial No. to be printed at side of the 3-ply Carton:

Storage environment	: -30°C to 55°C (-22°F to 131°F), 15-95% RH, 700hpa to 1060hpa
ransportation environment	: -30°C to 55°C (-22°F to 131°F), 15-95% RH, 700hpa to 1060hpa
Model	: CQ-36
Serial No.	: xxxxxxxx

Manufacturer: Chongqing Xinfeng Medical Instruments Co., Ltd.  
 14F-6,Huaxin Building, No.12 Da Xigou Street, Yuzhong District 400013  
 Chongqing, PEOPLE'S REPUBLIC OF CHINA

EC-Representative: Novasan.S.A.

C/Churruca,18 28004 MADRID SPAIN

**24. Electromagnetic Compatibility (EMC)**

Electromagnetic compatibility describes a level of performance of a device within its electromagnetic environment. This environment consists of the device itself and its surroundings including other equipment, power sources and persons with which the device must interface. Inadequate compatibility results when a susceptible device fails to perform as intended due interference from its environment or when the device produces unacceptable levels of emission to its environment. This interference is often referred to as radio-frequency or electromagnetic interference (RFI/EMI) and can be radiated through space or conducted over interconnecting power or signal cables. In addition to electromagnetic energy, EMC also includes possible effects from electrical fields, magnetic fields, electrostatic discharge and disturbances in the electrical power supply.

**EMC Information**

**Statement**

The MEDICAL DELECTRICAL EQUIPMENT needs special precautions regarding EMC and needs to be installed and put into service according to the EMC information provided in the ACCOMPANYING DOCUMENTS (this instruction).

Portable and mobile RF communications equipment can affect MEDICAL EELECTRICAL EQUIPMENT.

The equipment is without a manual sensitivity adjustment, hence:

The minimum amplitude or value of physiological signal is adjusted to value "2"

**Warning:**

Operation of the DEVICE or SYSTEM below this amplitude or value may cause inaccurate results.

**Warning:**

The use of ACCESSORIES, transducers and cables other than those specified, with the exception of transducers and cables sold by the manufacturer of the DEVICE or SYSTEM as replacement parts for internal components, may result in increased EMISSION or decreased IMMUNITY of the DEVICE or SYSTEM.

**EMC Description**

**Table 201-Declaration-electromagnetic emissions**


<b>Guidance and manufacturer’s declaration. electromagnetic emissions</b>		
<p>The device is intended for use in the electromagnetic environment specified below, The customer or the user of the Device should assure that it is used in such an environment.</p>		
<b>Emissions test</b>	<b>Compliance</b>	<b>Electromagnetic environment-guidance</b>
RF emissions CISPR11	Group 2	<p>The device must emit electromagnetic energy in order to perform its Intended function. Nearby electronic equipment may be affected</p> <p>The device is suitable for use in all establishments other than domestic and those directly connected to the public low-voltage power supply network that supplies buildings used for domestic purposes.</p>
RF emissions CISPR11	Class B	
Harmonic emissions IEC 61000-3-2	Not applicable	
Voltage fluctuations / flicker emissions IEC 61000-3-3	Not applicable	

**Table 202-Declaration-electromagnetic immunity.**

<b>Guidance and manufacturer’s declaration-electromagnetic immunity</b>			
<p>The device is intended for use in the electromagnetic environment specified below. The customer or the user of the Device should assure that it is used in such an environment</p>			
<b>Immunity test</b>	<b>IEC 60601 test level</b>	<b>Compliance level</b>	<b>Electromagnetic environment-guidance</b>
Electrostatic discharge(ESD) IEC 61000-4-2	±6 kV contact ±8 kV air	±6 kV contact ±8 kV air	<p>Floors should be wood. concrete or ceramic tile. If floors are covered with synthetic material, the relative humidity should be at least 30%.</p>



**Table 204-Declaration-electromagnetic immunity**

Guidance and-manufacture's declaration. Electromagnetic immunity			
The device is intended for use in the electromagnetic environment specified below .the customer or the user of the Device Should assure that it is used in such an environment			
immunity test	IEC 60501 test level	Compliance level	Electromagnetic environment—guidance
			Portable and mobile RF communications equipment should be used no closer to any part of the device, including cables,than the recommended separation distance calculated from the equation applicable to the frequency of the transmitter.
			<b>Remcommended separation distance</b>
Conducted RF IEC 61000-4-6	3Vrms 150kHz to 80 Mhz	3Vrms	$d=1.2\sqrt{p}$
Radiated RF IEC61000-4-3	3V/m 80MHz to 2.5GHz	3V/m	$d=1.2\sqrt{p}$ ,80MHz to 800MHz
			$d=2.3\sqrt{p}$ ,800MHz to 2.5MHz
			Where <i>P</i> is the maximum output power rating of the transmitter in watts (W) according to the transmitter manufacturer and <i>d</i> is the recommended separation distance in meters(m). Field strengths from fixed RF transmitters,as determined by an electromagnetic site survey, <sup>a</sup> should be less than the compliance level in each frequency range. <sup>b</sup> Interference may occur in the vicinity of equipment marked with the follwing symbol: 
NOTE1 At 80 Mhz end 800 MHz.the higher frequency range applies. NOTE2 These guidelines may not apply in all situations.Electromagnetic propagaion is affected by absorption and reflection from structures,objects and people.			
<p><sup>a</sup> Field strengths from fixed transmitters,such as base station for radio (cellular/cordless) telephones and land mobile radios,amateur radio,AM and FM radio broadcast and TV broadcast cannot be predicted the oretically with accuracy.To assess the electromagnetic environment due to fixed RF transmitters,an electromagnetic site survey should be considered.If the measured field strength in the location in which the Model Number or Type Number-by manufacturer is used exceeds the applicable RFcompliance level above,the Model Number or Type Number-by manufacturer should be observed to verify normal operation.If abnormal performance is observed,additional measures may be necessary,such as reorienting or relocating the Model Number or Type Number-by manufacturer.</p> <p><sup>b</sup> Over the frequency range 150kHz to 80MHz,field strengths should be less than <math>[V]/m</math>.</p>			

**Table 206-Recommended separation distances between portable and mobile RF communications equipment and the device**

<b>Recommended separation distances between portable and mobile RF communications equipment and the device</b>			
<p>The device is intended for use in an electromagnetic environment in which radiated RF disturbances are controlled. The customer or the user of the device can help prevent electromagnetic interference by maintaining a minimum distance between portable and mobile RF communications equipment (transmitters) and the device as recommended below, according to the maximum output power of the communications equipment.</p>			
<b>Rated maximum output power of transmitter W</b>	<b>Separation distance according to frequency of transmitter m</b>		
	150 kHz to 80 Mhz $d=1.2\sqrt{P}$	80 MHz to 800 MHz $d=1.2\sqrt{P}$	800MHz to 2,5 Ghz $d=2.3\sqrt{P}$
0.01	0.12	0.12	0.23
0.1	0.38	0.38	0.73
1	1.2	1.2	2.3
10	3.8	3.8	7.3
100	12	12	23
<p>For transmitters rated at a maximum output power not listed above, the recommended separation distance <math>d</math> in meters (m) can be estimated using the equation applicable to the frequency of the transmitter, where <math>P</math> is the maximum output power rating of the transmitter in watts (W) accordable to the transmitter manufacturer.</p> <p>NOTE 1 At 80 MHz and 800 MHz .the separation distance for the higher frequency range applies.</p> <p>NOTE 2 These guidelines may not apply in all situations. Electromagnetic propagation is affected by absorption and reflection from structures, objects and people.</p>			

**25. CE Compliance**

The INFRARED THERAPEUTIC LAMPS conforms to the requirements of Medical Device MDD 93/42/EEC.

**26. Disposal**

Please follow the local environment requirement when disposal the device.

**27. Trouble shooting**

If your device does not seem to be operating properly, please check as:

- Check the plugging method to be sure it is properly placed.
- Replace 2 pieces new fuses of 3.15A

If none of these steps improve operation, then return the device to your professional, who will return it to the manufacturer.

**28. Limited Warranty.**

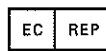
- 90 days parts and labor.

- One (1) year parts.
- The customer is responsible for any transportation of shipping relative to the return of product during the warranty period.
- Copy of invoice must be provided as proof of purchase.
- Products disassembled, repaired, or altered in any manner will void warranty.
- Should a product require repair after the limited warranty period, please contact us for information regarding return procedures and repair charges.

For Service in or out of guarantee, please contact the distributors.

**29. Manufacture Date, Manufacturer's and ER address**

Chongqing Xinfeng Medical Instruments Co., Ltd.  
14F-6, Huaxin Building, No.12 Da Xigou  
Street, Yuzhong District, Chongqing, P.R.China



Novasan.S.A.  
C/Churruca,18 28004 MADRIDSPAIN

Rev A Date: 05/2010.

**SPECIFICATIONS**

Infrared emission: thermally excited "black body" mineral plate that converts into far infrared  
 Spectrum range: 2 to 22 micrometers  
 Power usage: 230 ± 10 volt AC, 50 Hz cycle  
 Safety fuse: 2 spares included, for 220 ~ 240 volt, type F3.15AL250V  
 Power consumption: 215 watts (except CQ-55 and CQ-55A)  
 Operation control: continuous ON/OFF or digital type timer control, timer can be set from 5 minutes up to 95 minutes.  
 increment of each setting: 5 minutes.  
 Emission plate life \*: 1,200 to 1,500 hours average usage  
 Safety class: Class I  
 Product type: Class IIa

<b>CQ-12A</b>	
Diameter of mineral plate:	124 mm
Style:	desk model
Extendible range:	16" (40 cm) vertical, 10" (25 cm) horizontal adjustment with 2 sections, spring loaded arms.
Emission head direction:	any direction within a half sphere may be tilted up to 90 degrees. Device head may be rotated 50 degrees
Telescoping main post:	fixed
Distances to floor:	6" (15 cm) minimum to 18" (45 cm) maximum
Treatment distance:	8" to 12" (20 cm to 30 cm)
Weight:	12 lbs (5.5 kgs.)

<b>CQ-33</b>	
Diameter of mineral plate:	166 mm
Style:	dual type head lamp, floor model with five-point base and casters
Extendible range:	24" (60 cm) vertical, 24" (60 cm) horizontal adjustment with 2 sections, spring loaded arms
Emission head direction:	any direction within a half sphere may be tilted up to 90 degrees. Device head may be rotated 180 degrees.
Telescoping main post:	allows 12" (30 cm) vertical adjustment
Distances to floor:	12" (30 cm) minimum to 60" (152 cm) maximum
Treatment distance:	8" to 12" (20 cm to 30 cm)
Weight:	33 lbs (15 kgs.)

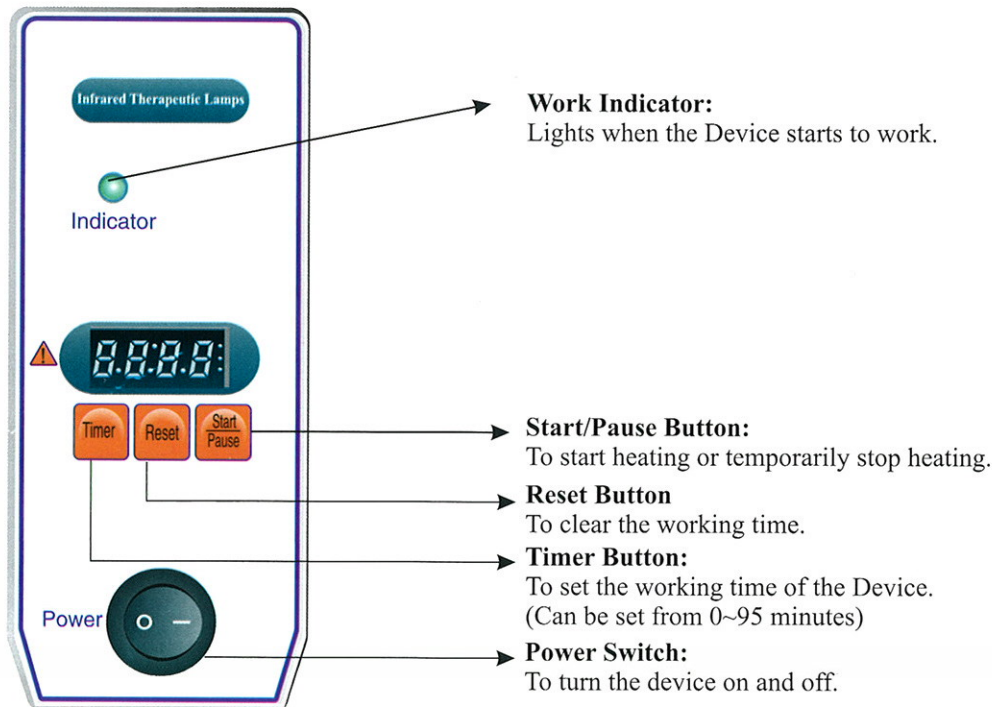
<b>CQ-35</b>	
Diameter of mineral plate:	124 mm
Style:	floor model with five-point base and casters
Extendible range:	24" (60 cm) vertical, 24" (60 cm) horizontal adjustment with 2 sections, spring loaded arms
Emission head direction:	any direction within a half sphere may be tilted up to 90 degrees. Device head may be rotated 360 degrees.
Telescoping main post:	allows 12" (30 cm) vertical adjustment
Distances to floor:	12" (30 cm) minimum to 60" (152 cm) maximum
Treatment distance:	8" to 12" (20 cm to 30 cm)
Weight:	25 lbs (11 kgs.)

<b>CQ-36</b>	
Diameter of mineral plate:	166 mm
Style:	floor model with five-point base and casters
Extendible range:	24" (60 cm) vertical, 24" (60 cm) horizontal adjustment with 2 sections, spring loaded arms
Emission head direction:	any direction within a half sphere may be tilted up to 90 degrees. Device head may be rotated 360 degrees.
Telescoping main post:	allows 12" (30 cm) vertical adjustment
Distances to floor:	12" (30 cm) minimum to 60" (152 cm) maximum
Treatment distance:	8" to 12" (20 cm to 30 cm)
Weight:	25 lbs (11 kgs.)

<b>CQ-55</b>	
Diameter of mineral plate:	3 mineral plates, length 70mm and width 144mm, in alignment.
Style:	floor model with five-point base and casters.
Power consumption:	State I: 3*176 watts, State II: 176 watts, 99 watts and 44 watts
Extendible range:	24" (60 cm) vertical, 24" (60 cm) horizontal adjustment with 2 sections, spring loaded arms
Emission head direction:	any direction within a half sphere may be tilted up to 90 degrees. Device head may be rotated 360 degrees.
Telescoping main post:	allows 12" (30 cm) vertical adjustment
Distances to floor:	12" (30 cm) minimum to 60" (152 cm) maximum
Treatment distance:	8" to 12" (20 cm to 30 cm)
Weight:	33 lbs (15 kgs.)

<b>CQ-55A</b>	
Diameter of mineral plate:	3 mineral plates, diameter 78 mm, in circle shape.
Style:	floor model with five-point base and casters.
Power consumption:	State I: 3*108 watts, State II: 108 watts, 61 watts and 27 watts
Extendible range:	24" (60 cm) vertical, 24" (60 cm) horizontal adjustment with 2 sections, spring loaded arms.
Emission head direction:	any direction within a half sphere may be tilted up to 90 degrees. Device head may be rotated 360 degrees.
Telescoping main post:	allows 12" (30 cm) vertical adjustment
Distances to floor:	12" (30 cm) minimum to 60" (152 cm) maximum
Treatment distance:	8" to 12" (20 cm to 30 cm)
Weight:	33 lbs (15 kgs.)

\* Replacement heating plates and parts are available.



- Insert the plug into a power source of  $230V \pm 10V$  supply socket and turn on the lamp by switching Power to ON position. The indicator will not light at this time.
- Push “Start/Pause” button. The screen shall display “CONT” which means “continue” and the indicator lights up.
- Push “Reset” , the screen will display “00:00” . Then push “Timer” to set working time at 15 mins. (The increments of each pushing of Timing Button is 5 mins)
- Push “Start/Pause” to start the preheating.
- Push “Reset” then “Timer” to set working time once the preheating stops.
- Push “Start/Pause” to activate heating works.
- Aim the device head directly towards the body area to be treated. The heating shuts off once the timing reaches “00:00” .
- The heating can be canceled any time by pushing “Reset” .
- The appropriate distance from the device head to the area to be treated is 30 cm. The best result is obtained when the body surface temperature is heated to and kept at  $40^{\circ}\text{C} \sim 42^{\circ}\text{C}$  after preheating for 15 minutes.  
When skin temperature is below  $40^{\circ}\text{C}$  , it is only for comfort warming.  
The following table shows the appropriate skin temperatures at different distances from the lamp head to skin surface after preheating for 15 minutes:

Distance from the lamp head	25 cm	30 cm	35 cm
Skin temperature	$42^{\circ}\text{C}$	$40^{\circ}\text{C}$	$38^{\circ}\text{C}$
- Treatment time period: 30 to 60 minutes each time by pushing Timing Button until the desired minute number shows in the display.
- Once or twice treatment per day.

The indicator pilot light will indicate the unit is warming up. After pre-heating for 10 to 15 minutes, the unit will be ready for use. Do not leave unit on when unattended.

Note: if the indicator light is not on and the lamp fails to heat, check the fuse on the back of the controller. Replace if necessary.